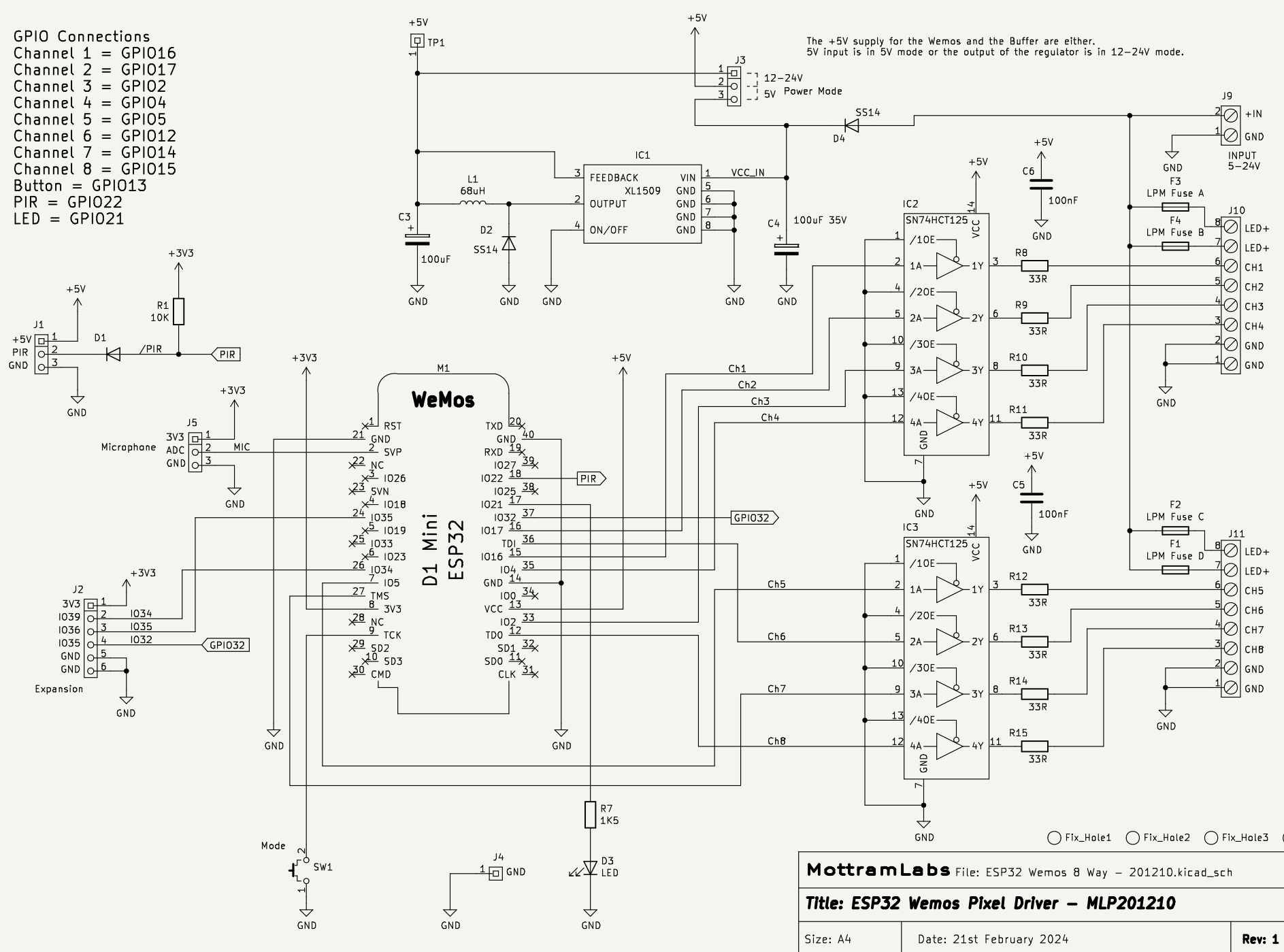


GPIO Connections
 Channel 1 = GPIO16
 Channel 2 = GPIO17
 Channel 3 = GPIO2
 Channel 4 = GPIO4
 Channel 5 = GPIO5
 Channel 6 = GPIO12
 Channel 7 = GPIO14
 Channel 8 = GPIO15
 Button = GPIO13
 PIR = GPIO22
 LED = GPIO21

The +5V supply for the Wemos and the Buffer are either.
 5V input is in 5V mode or the output of the regulator is in 12-24V mode.



○ Fix_Hole1 ○ Fix_Hole2 ○ Fix_Hole3 ○ Fix_Hole4

MottramLabs File: ESP32 Wemos 8 Way - 201210.kicad_sch
Title: ESP32 Wemos Pixel Driver - MLP201210
 Size: A4 Date: 21st February 2024 Rev: 1