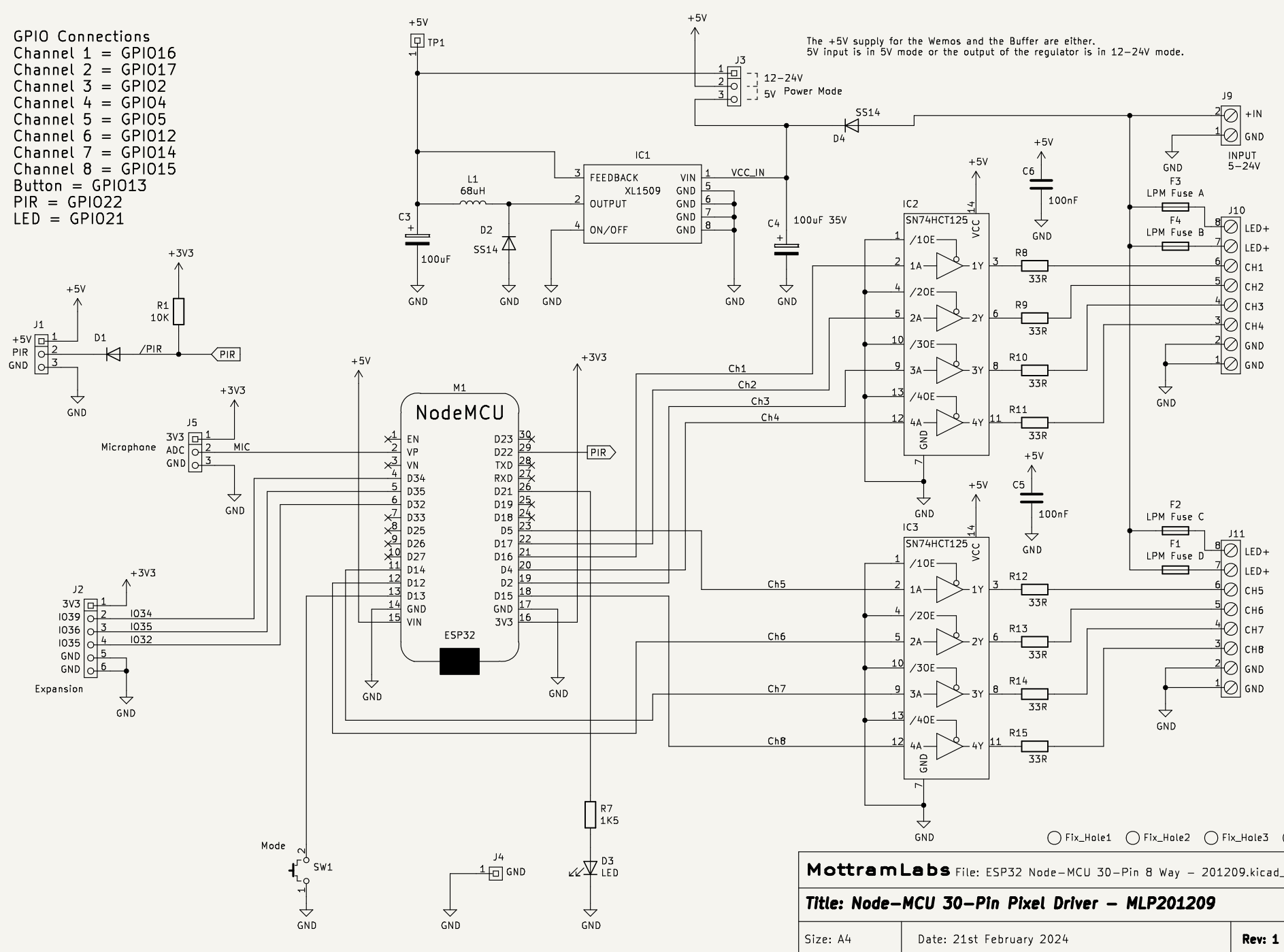



GPIO Connections  
 Channel 1 = GPIO16  
 Channel 2 = GPIO17  
 Channel 3 = GPIO2  
 Channel 4 = GPIO4  
 Channel 5 = GPIO5  
 Channel 6 = GPIO12  
 Channel 7 = GPIO14  
 Channel 8 = GPIO15  
 Button = GPIO13  
 PIR = GPIO22  
 LED = GPIO21

The +5V supply for the Wemos and the Buffer are either.  
 5V input is in 5V mode or the output of the regulator is in 12-24V mode.



○ Fix\_Hole1 ○ Fix\_Hole2 ○ Fix\_Hole3 ○ Fix\_Hole4

**MottramLabs** File: ESP32 Node-MCU 30-Pin 8 Way - 201209.kicad\_sch

**Title: Node-MCU 30-Pin Pixel Driver - MLP201209** 

Size: A4	Date: 21st February 2024	Rev: 1
----------	--------------------------	--------