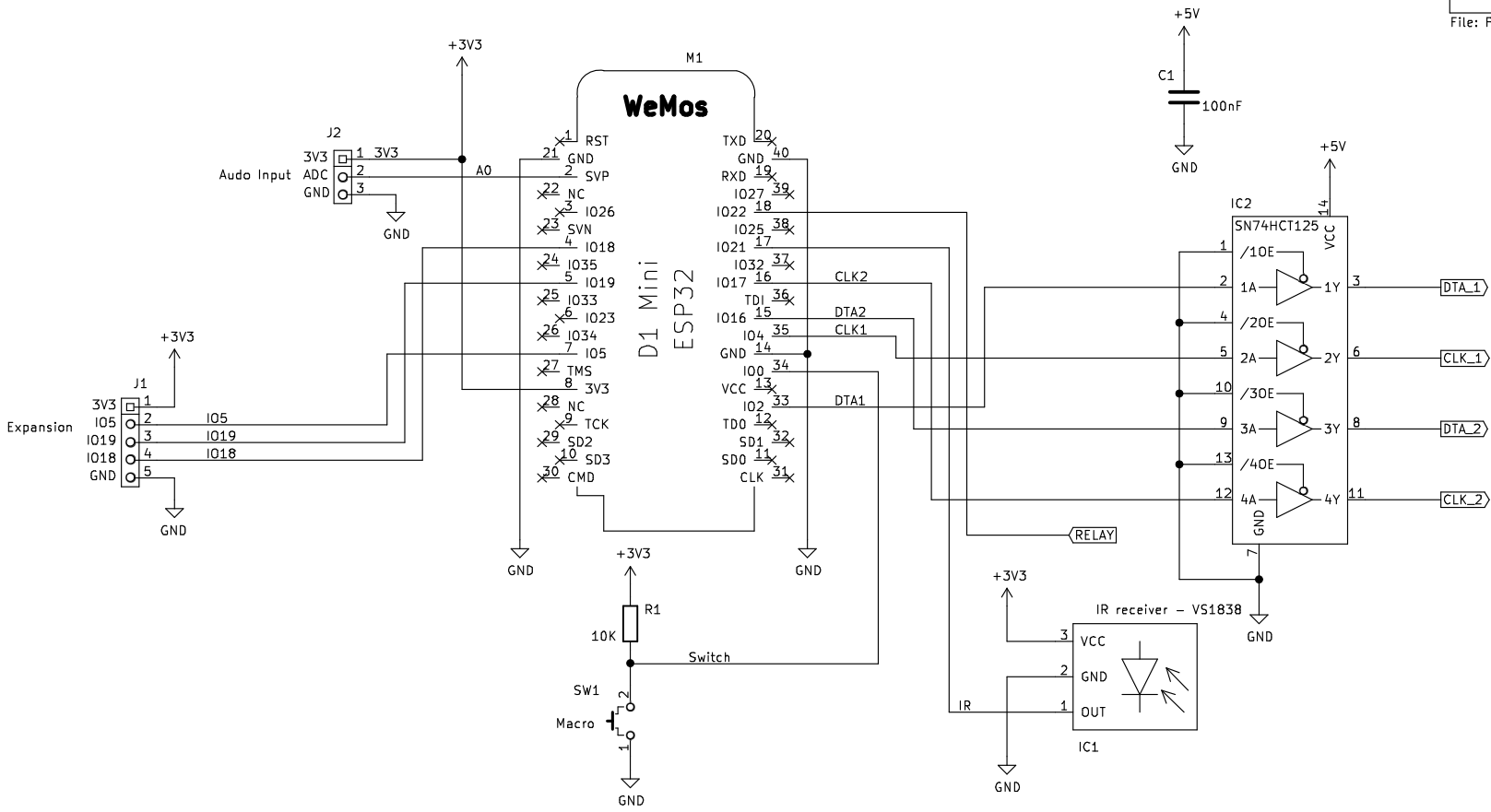


PSU and IO

File: Power Supply.sch



○ Fix_Hole1 ○ Fix_Hole2 ○ Fix_Hole3 ○ Fix_Hole4

MottramLabs		File: ESP32 Pixel Driver Board – MLP201150.sch
Title: ESP32 Pixel Driver – MLP201150		
Size: A4	Date: 26th November 2021	Rev: 2

