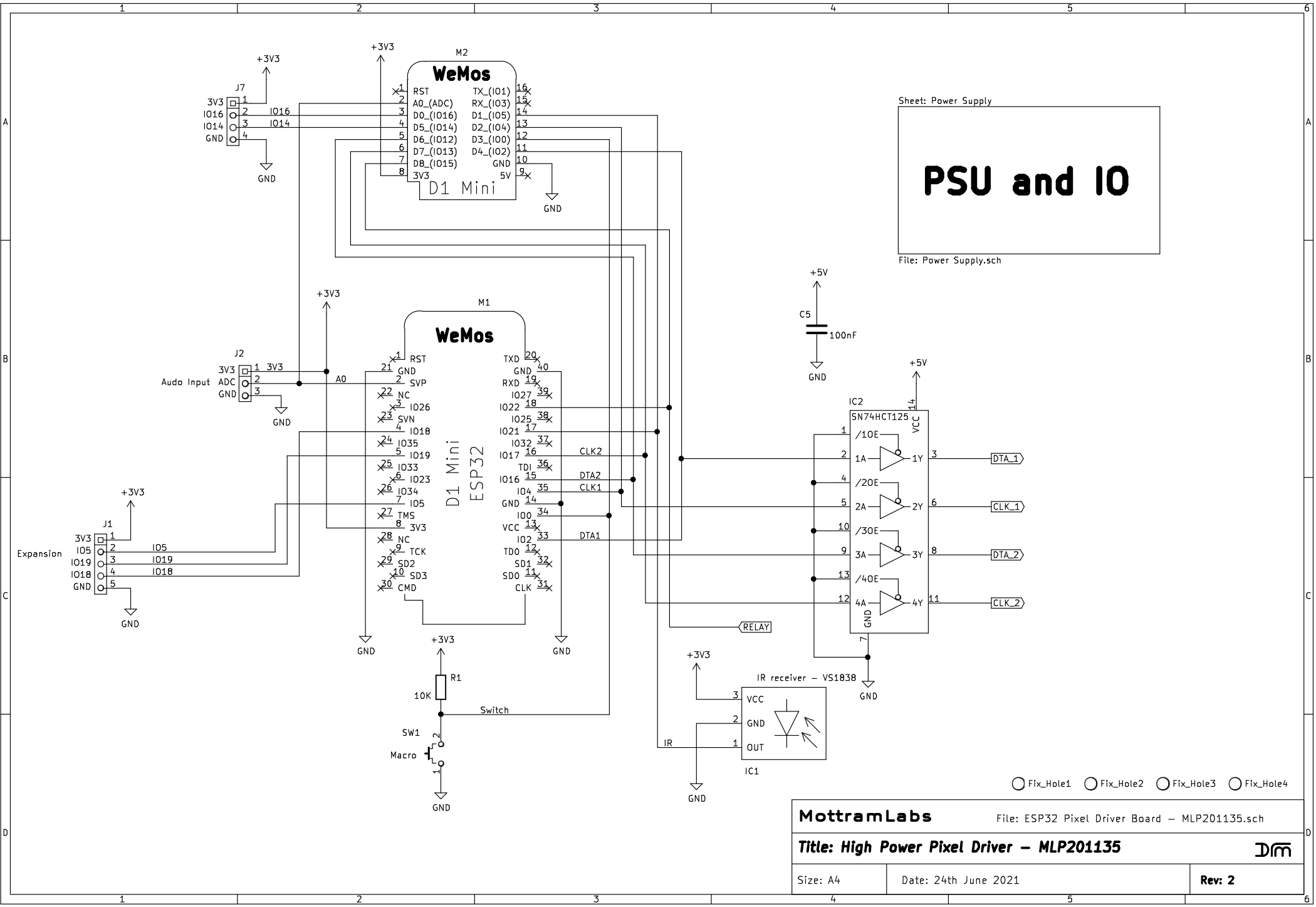


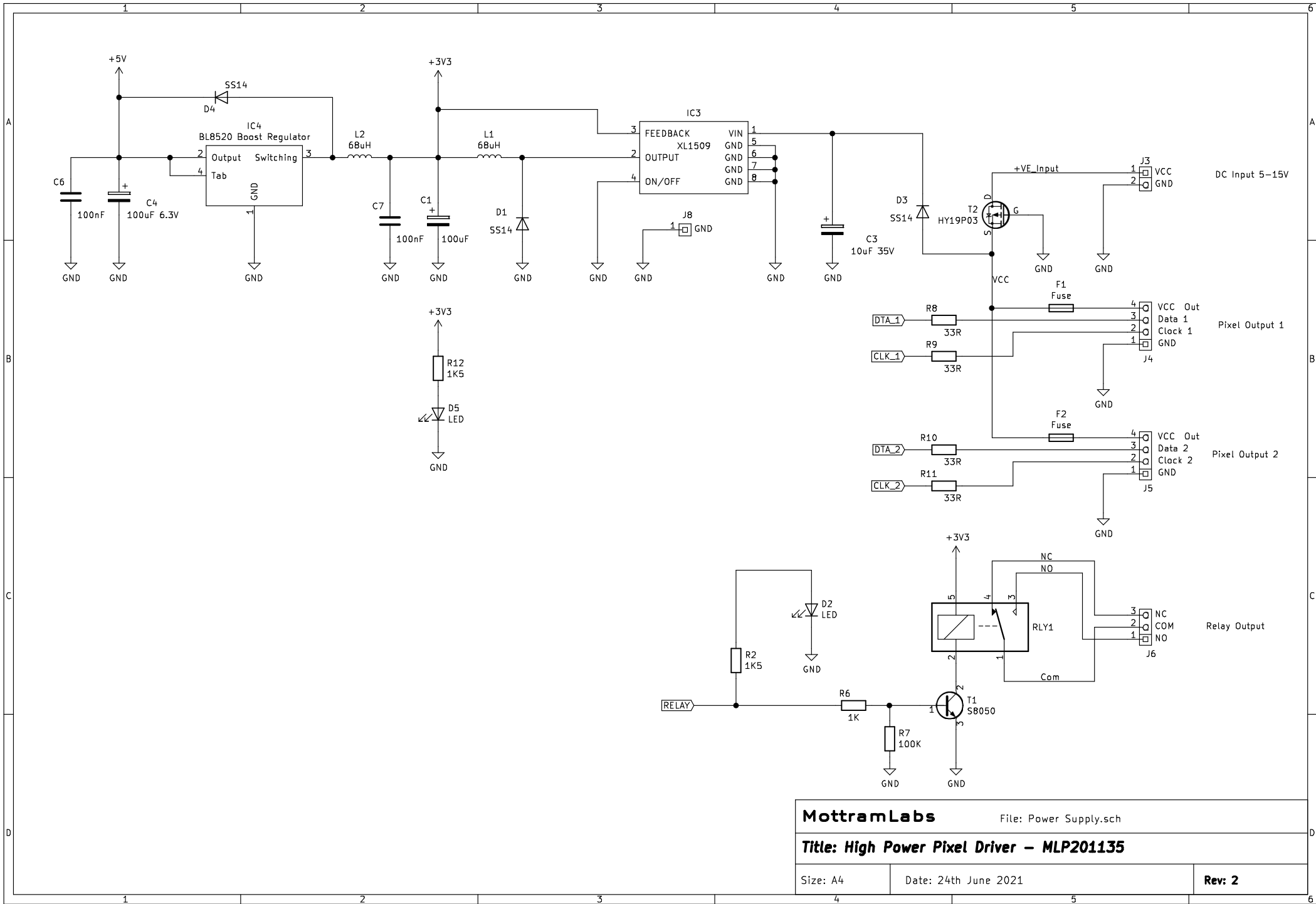
Sheet: Power Supply

PSU and IO

File: Power Supply.sch



○ Fix_Hole1 ○ Fix_Hole2 ○ Fix_Hole3 ○ Fix_Hole4



MottramLabs

File: Power Supply.sch

Title: High Power Pixel Driver - MLP201135

Size: A4

Date: 24th June 2021

Rev: 2