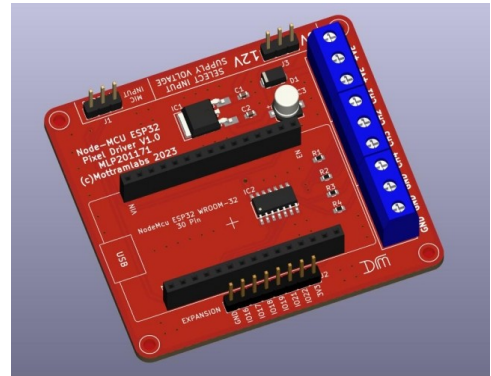


ESP32 LED Pixel (WS2812) Driver Board - MLP201171

Features and Benefits

- 5V or 12V Operation
- Works With ESP32 Node-MCU Wi-Fi Board
- On-board 5V Regulator powers the Node-MCU
- Reverse Polarity Protection (Board Only)
- 5V data output to LED pixels
- Screw terminal connections
- Analogue audio input option

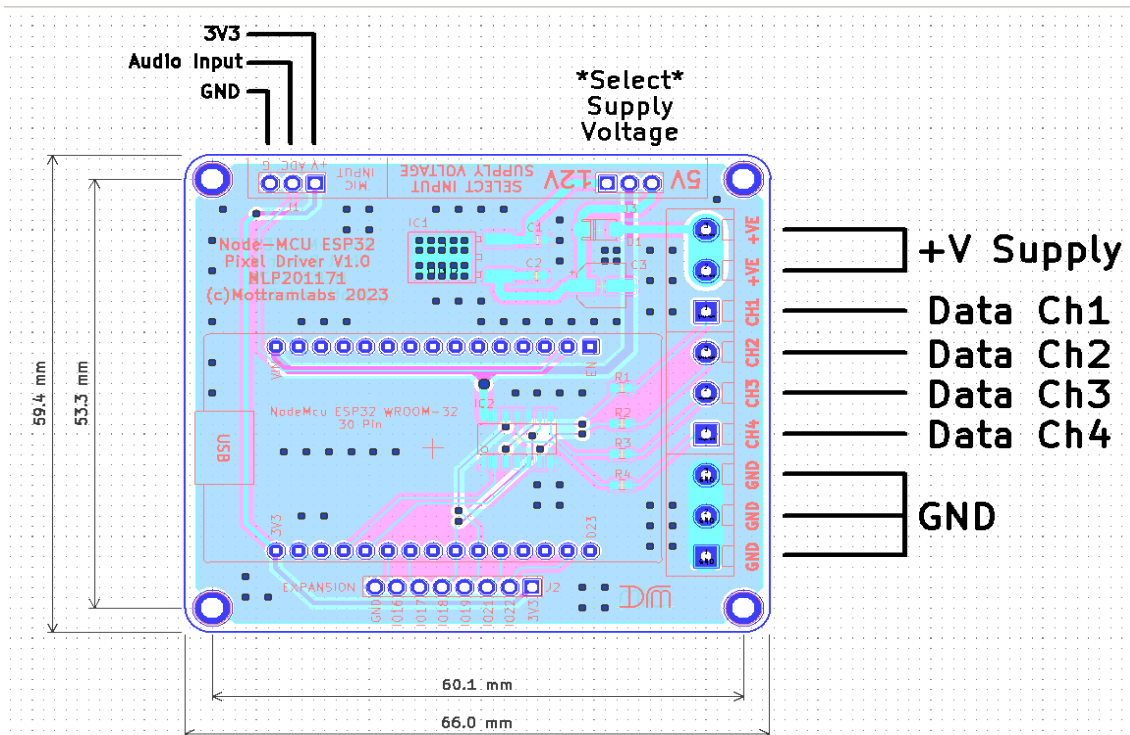


Product Details

The MLP201171 provides a simple solution for connecting WS2812 or similar LED pixel strips to the popular Node-MCU Wi-Fi module. An on-board 74HCT125 line driver provides a 5V P/P output from the normal 3.3V output supplied by the ESP32 chip as used on the Node-MCU.

The board provides reverse polarity protection for the PCB only, care should be taken to protect the LED strip. The board can be used with either 5V or 12V LED strips when using the appropriate power supply. There is an option link on the board (J3) to select between a 5V or 12V supply, it's important to select this link for the supply used or the Node-MCU will be damaged. Please note the boards 5V regulator powers the Node-MCU and 74HCT125 only, it does not power the LED output.

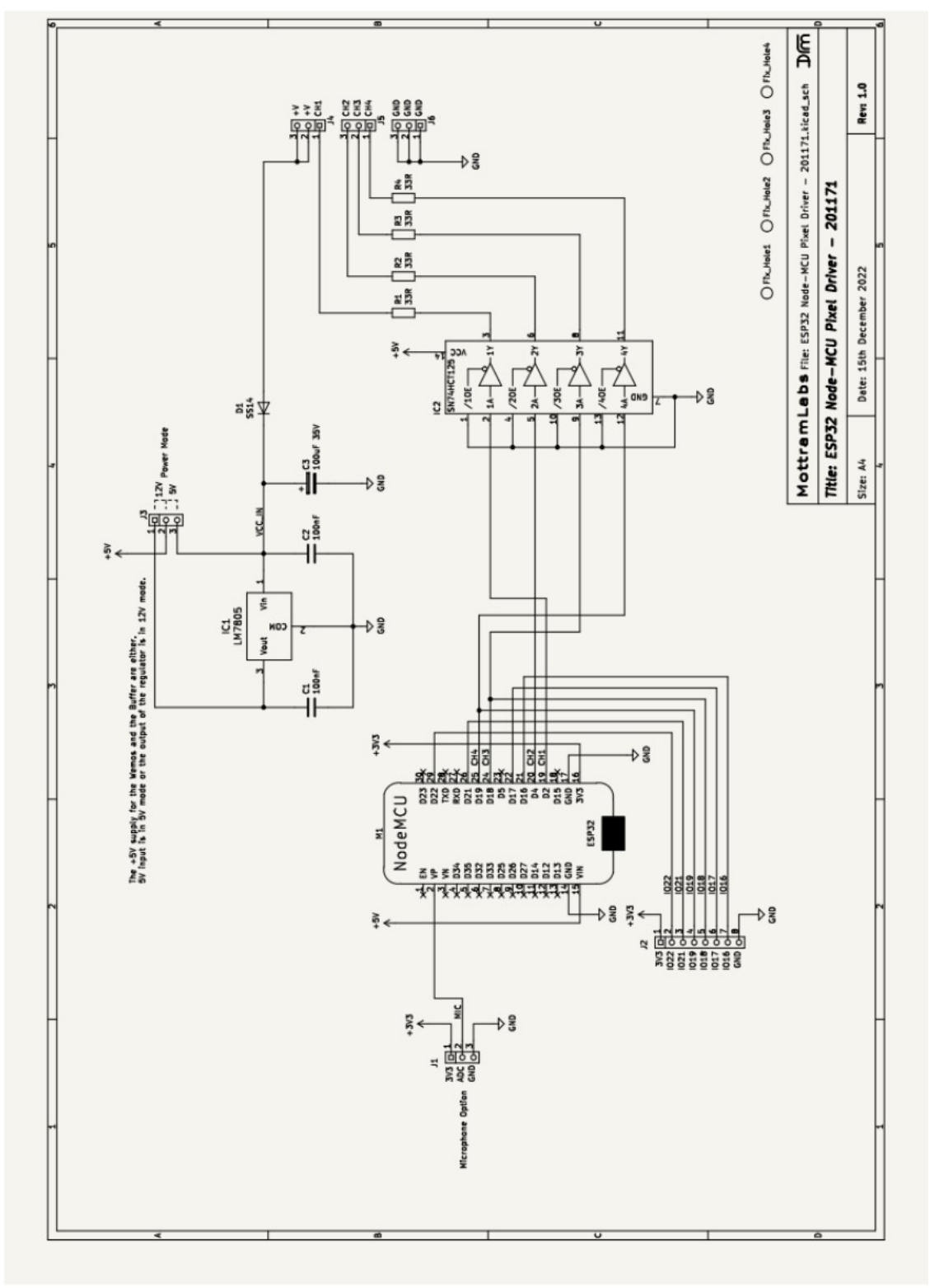
A Sound reactive option is possible via a 3 pin header for use with an external analogue microphone board, the microphone is then connected to the Node-MCU's analogue input.



J3 Link

The voltage selection must match the input supply, so for 5V this link must be set to 5V and for 12V select 12V. Failure to do this will damage the PCB and any Node-MCU plugged in.

MLP201171 - Schematic



Software – WLED

Although the board can work with a range of software one of the most popular and feature rich is WLED. Below are some links to the WLED project page and a fork “WLED Sound Reactive”. This version adds as the name suggests sound reactive modes, this version requires an external audio input. The simplest way is to add a microphone board to the Node-MCU’s analogue input.

Flashing Tool

ESPHome-Flasher is a python utility for programming the Node-MCU

<https://github.com/esphome/ESPHome-Flasher>

WLED

WLED Github Page

<https://github.com/Aircoookie/WLED>

WLED Releases

<https://github.com/Aircoookie/WLED/releases>

WLED Web Installer Tool

<https://install.wled.me/>

Sound Reactive WLED

Sound Reactive WLED Releases

<https://github.com/atuline/WLED/releases>

Sound Reactive Wiki

<https://github.com/atuline/WLED/wiki>

Audio connection Options

<https://github.com/atuline/WLED/wiki/Analog-Audio-Input-Options>
